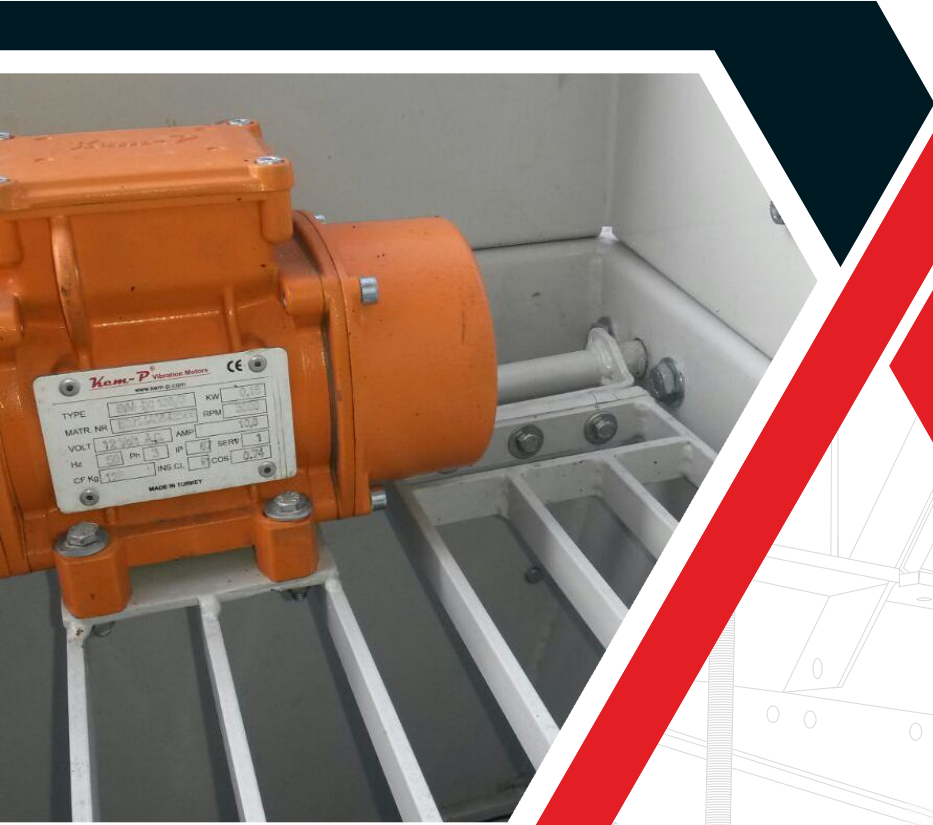


Kem-P® Vibration Motors

EVM-DC SERIES



II 2D Ex tb IIIC T 120° C Db - IP 66

✓

- KALITE / QUALITY
- TASARIM / DESIGN
- TEKNOLOJİ / TECHNOLOGY
- YENİLİK / INNOVATION
- GÜÇ / POWER
- TECRÜBE / KNOW-HOW
- SERVİS / SERVICE
- PERFORMANS / PERFORMANCE
- VERİMLİLİK / PRODUCTIVITY



www.kem-p.com

24V / DC

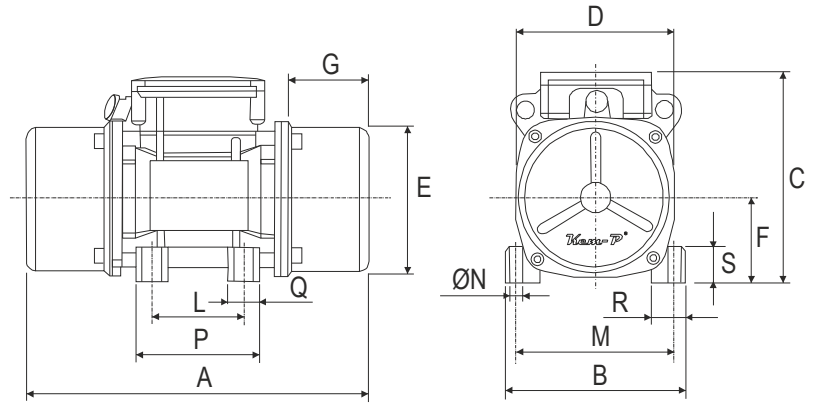
Model Type	Gövde Size	II 2D Sınıfı Class	Vibrasyon Motoru - Vibrations Motors							Konverter - Converters	
			Devir rpm	Santrüfjüj Kuvveti Centrifugal Force		Statik Moment Statical Moment (Kgmm)	Ağırlık Weight (Kg)	Giriş Gücü Input Power (W)	Nominal Akım Nom. Current (A)	Giriş Gücü Input Power (W)	Nominal Akım Nom. Current (A)
				(Kg/F)	(KN)						
EVM/DC 130-24	01	120°	3000	125	1,226	12,4	4,7	180	2,80	650	10,0
EVM/DC 200-24	01	120°	3000	187	1,834	18,6	5	180	3,00	650	10,0
EVM/DC 90-24	01	120°	1500	78	0,765	31,0	5,5	95	2,50	650	10,0

12V / DC

Model Type	Gövde Size	II 2D Sınıfı Class	Vibrasyon Motoru - Vibrations Motors							Konverter - Converters	
			Devir rpm	Santrüfjüj Kuvveti Centrifugal Force		Statik Moment Statical Moment (Kgmm)	Ağırlık Weight (Kg)	Giriş Gücü Input Power (W)	Nominal Akım Nom. Current (A)	Giriş Gücü Input Power (W)	Nominal Akım Nom. Current (A)
				(Kg/F)	(KN)						
EVM/DC 130-12	01	120°	3000	125	1,226	12,4	4,7	180	7,20	650	10,0
EVM/DC 200-12	01	120°	3000	187	1,834	18,6	5	180	7,35	650	10,0
EVM/DC 90-12	01	120°	1500	78	0,765	31,0	5,5	95	7,10	650	10,0



Model Type	Gövde Size	Gövde Ölçüleri - Overall Dimensions (mm)														
		Rif	A	B	C	D	ØE	F	G	L	M	ØN	P	Q	R	S
EVM/DC 130-24	01	--	241	125	145	109	100	58	60,5	70÷74	106	8,75	90	23	23	23
EVM/DC 200-24	01	--	241	125	145	109	100	58	60,5	70÷74	106	8,75	90	23	23	23
EVM/DC 90-24	01	--	241	125	145	109	100	58	60,5	70÷74	106	8,75	90	23	23	23
EVM/DC 130-12	01	--	241	125	145	109	100	58	60,5	70÷74	106	8,75	90	23	23	23
EVM/DC 200-12	01	--	241	125	145	109	100	58	60,5	70÷74	106	8,75	90	23	23	23
EVM/DC 90-12	01	--	241	125	145	109	100	58	60,5	70÷74	106	8,75	90	23	23	23



12V - DC 24V - DC

Motor Δ TRIANGLE

